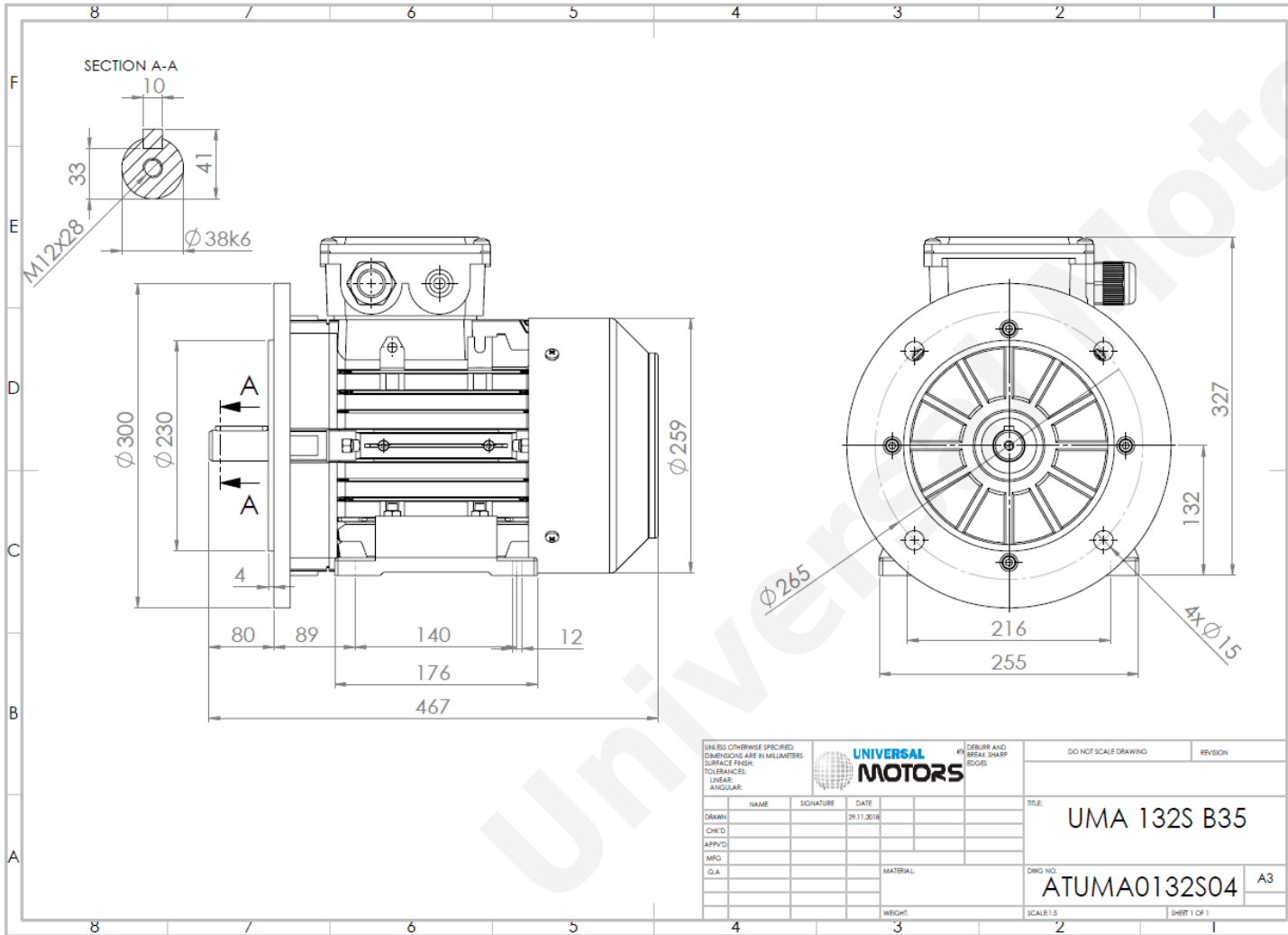




TECHNICAL DATA

Three Phase Electric Motors - Aluminum Frame
 UM3A 132S1-2 IE3
 5.5 kW / 7.5 Cv
 RPM



Motor type:	UM3A 132S1-2 IE3
Output:	5.5 kW / 7.5 Cv
Frequency:	50 Hz
Voltage:	400 V
Current:	10.0 A
Power factor (Cos Ø):	0.89
Poles:	2
Insulation class:	F
Temperature rise Class:	B
Efficiency 50%:	88.2 %
Efficiency 75%:	89.4 %
Efficiency 100%:	89.1 %
Torque:	17.9 N.m
Tstarting/Tnominal:	3.2
Istarting/Inominal:	10.0
Tmaximum/Tnominal:	4.0
Noise:	80 Db(A)
Weight:	43.4 Kg
Brake AC:	AC7
Torque Brake DC:	80 N.m
Bearing DE:	6308 2Z
Bearing NDE:	6308 2Z
Torque Brake AC:	90 N.m
Brake DC:	REB-05-16

Regime - S1

Altitude - 1000m

Environment Temperature - 40°C

CONTACTS:

UNIVERSAL MOTORS Tel: +351 252 299 080
 Rua de São Brás,745 Fax: +351 252 299 089
 4480-782 VILA DO CONDE Mail: geral@universalmotors.pt

* References applied only in the UK